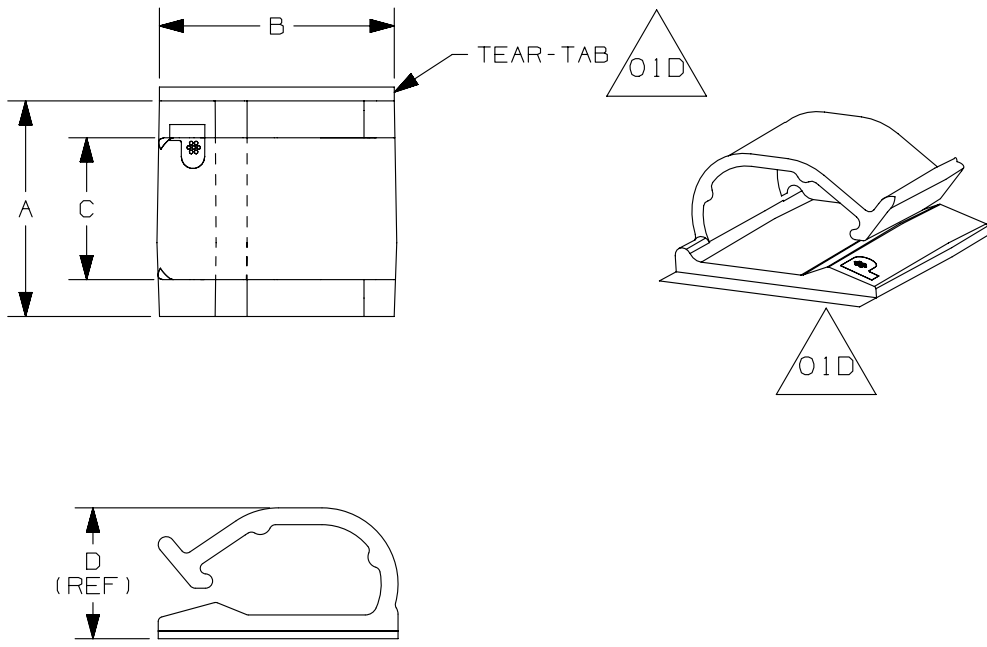


THIS COPY IS PROVIDED ON A RESTRICTED BASIS AND IS NOT TO BE USED IN ANY WAY DETRIMENTAL TO THE INTERESTS OF PANDUIT CORP.

PANDUIT PART NUMBER	DIMENSIONS				MAXIMUM CABLE DIA. in. (mm)	ADHESIVE BACKING	WEIGHT lbs/100 pcs (g)/100 pcs
	A	B	C	D			
ACC62-A	1.12 (28.5)	1.24 (31.4)	.73 (18.5)	0.65 (16.5) (REF)	0.62 (15.7)	RUBBER	0.96 (437)
ACC62-AT						ACRYLIC	
ACC62-AV						HIGH BOND ACRYLIC	



NOTES:  
1. SEE CURRENT PRICE SHEET FOR PART NUMBER SUFFIX DESIGNATION FOR PACKAGE SIZE.

REV	DATE	BY	CHK	APR	DESCRIPTION	ECN
01D	2/26/15	RVU	CLW	JHAC	SHOW THE TEAR TABS IN THE CORRECT LOCATION.	GAECN02621
00C	11/6/09	TMSA			ADDED PART NUMBER ACC62-AV.	GB0239BB
00B	7/9/08	DJSM			REVISED AND RE-RELEASED TO TEAMCENTER REV HISTORY; TABULARIZED DIMS; REMOVED .86 AND .49 DIMS; REVISED .63 DIM TO INCLUDE TAPE; .73 WAS .74; REMOVED TAPE, APPLICATION, AND WARRANTY NOTES.	GB0239BB
3	7/18/00	JAD			DIMENSIONS, .63, .86, & .49 WERE CHANGED TO REF DIMENSIONS.	GB0239BB

TITLE ACC62-A, ACC62-AT, ACC62-AV ADHESIVE CORD CLIP CUSTOMER DRAWING					
ITEM REVISION NAME G03597BD/01			<b>PANDUIT</b>		
DATASET FILE NAME G03597BD_DC_GB0239BB/01D					
UNLESS OTHERWISE SPECIFIED, DIMENSIONAL TOLERANCES ARE: IN (mm)			MATERIAL: NYLON 6/6		
.x ± .1 [ 2.54 ]		.xxx ± .005 [ .127 ]		DRAWING NUMBER: GB0239BB	
.xx ± .01 [ .25 ]		ANGLES ± 5 °		THIRD ANGLE PROJECTION	
DRAWN BY JRL	DATE 9/11/92	CHK JHAC	SCALE FULL	SHT 1 OF 1	SIZE A